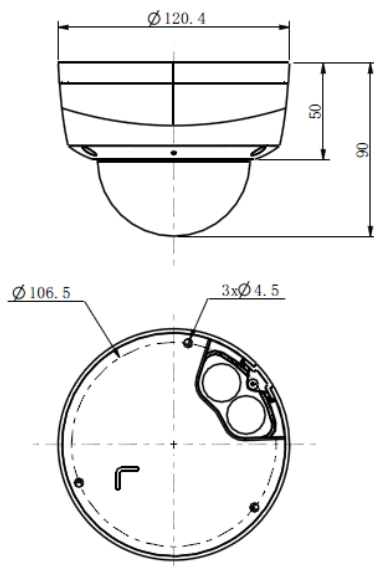




Features

- Up to 1920X1080@30fps
- Cable Free Design
- S+265/H.265/H.264 HP/MP/BP/M-JPEG
- Smart IR, IR Range: 20m
- VCA Tripwire/Double Tripwire/Perimeter/Object Abandon/Object Lost/Running/Loitering/Parking/Video Abnormal Detection/people counting/ Facial Detection
- Interface Built-in Mic, Audio I/O 1/0, MicroSD Card Slot, up to 128GB, Reset Button
- TVS 6000V, Lightning/Surge Protection: (Power 2000V, RJ45 1000V), IP66, IK10
- Operating Conditions -35 °C ~ 60 °C (IR OFF) /-35 °C ~ 40 °C (IR ON), 0 ~ 95% RHG
- CE, FCC

Dimensions



Camera	
Image Sensor	1/2.7" CMOS
Signal System	PAL/NTSC
Min. Illumination	Color: 0.05 Lux B/W: 0.01Lux ; 0 Lux with IR
Shutter Time	1s to 1/100,000s
Lens	2.8mm, Angle of View: 109.3°
Lens Mount	M12
Day & Night	IR Cut Filter with Auto Switch
Wide Dynamic Range	100 dB
Digital Noise Reduction	3D DNR
Compression Standard	
Video Compression	S+265/H.265/H.264/M-JPEG
Video Bit Rate	32Kbps~8Mbps
Audio Compression	G.711/G.711U/ADPCM
Audio Bit Rate	8K~48Kbps
Image	
Max. Image Resolution	1920x1080
Frame Rate	PAL: 25fps (1920 x 1080) NTSC: 30fps (1920 x 1080)
Mainstream	1080P(1920*1080)
Substream	D1(704*576)
3rd Stream	CIF (352x288)
Image Settings	Brightness, Saturation, Contrast, Flip Mode Adjustable by Client Software or Web Browser
HLC	Y
Smart Defog	Y
Corridor Format	Y
ROI	Y
Privacy Mask	Y
Picture Overlay	Y
OSD	16x16, 32x32, 24x24, 48x48, 64x64 Size Letters Such as Week, Date, Time, Total 5 Regions
Network	
Network Storage	FTP
NTP	Y
ANR	Y
Video Analytics	Tripwire/Double Tripwire/Perimeter/Object Abandon/Object Lost/Running/Loitering/Parking/Video Abnormal Detection/people counting/ Facial Detection
EW	N/A
Alarm Trigger	Motion Detection/IP Conflict/MAC Conflict/Port Alarm/Mask Alarm
Protocols	TCP/UDP/HTTP/MULTICAST/UPnP/DHCP/DDNS/FTP/NTP/RTSP/SMTP/PPPoE
Remote Connection	≤7
System Compatibility	ONVIF (Profile S) ,P2P, SDK, CGI
Interface	
Audio Input	1-ch, Mic in
Audio Output	N/A
Communication Interface	1-ch RJ45 10M / 100M Ethernet Interface
Alarm Input	N/A
Alarm Output	N/A
Video Output	N/A
On-board Storage	MicroSD Card Slot, up to 128GB
Extension	RESET
General	
Language	English, Simplified Chinese, Traditional Chinese, Spanish, Italian, Korean, Turkish, Russian, Thai, Polish, French
Operating Conditions	-35°C ~ 60°C, 0 ~ 95% RHG
Power Supply	DC 12 V ± 25%, POE
Power Consumption	Max. 4W(ICR Instant Switch 8W)
IR Light	8
IR Distance	20m
White Light	N/A
Impact Protection	IP66, IK10
Dimensions	120mmx120mmx90mm
Weight	0.7KG (IP Camera Only); 0.9KG (with Packing Box)

* The latest product information / specification can be found at <http://en.tiandy.com/>

